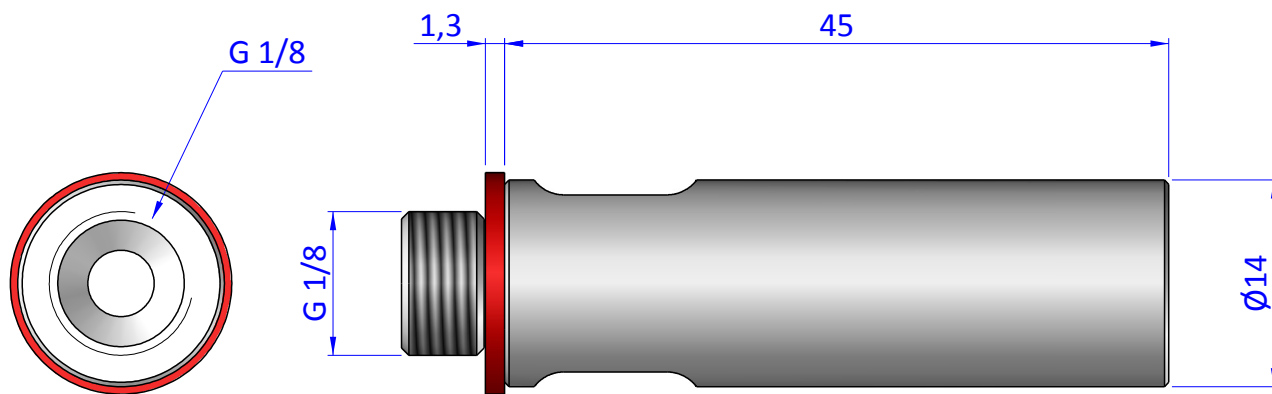
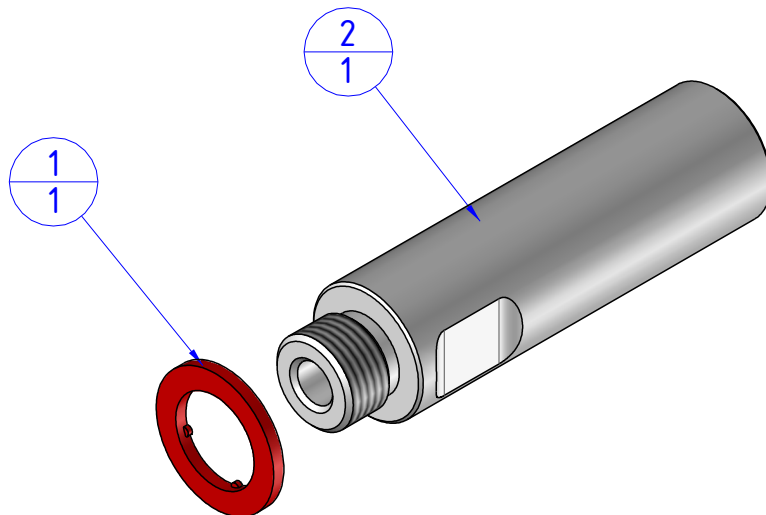


THE PROPERTY OF THE DRAWING IS ESTABLISHED BY LAW. IT IS FORBIDDEN TO PRODUCE OR SHOW IT TO THIRD PART. WITHOUT A WRITTEN AGREEMENT.

Item	Name	Qty.
1	CA.08.09.18	1
2	GSEG.141845	1



Format A4 UNI 936-76	FP SERVICES AUTOMATION			DESIGNED FROM	FP SERVICES	REVIEW	A
	GENERAL TOLERANCE	DESCRIPTION		DATE	27/02/2019	WEIGHT	0,014kg
	UNI - ISO 2768 CLASSE f	CA.GSEG.141845		CODE	CA.GSEG.141845		